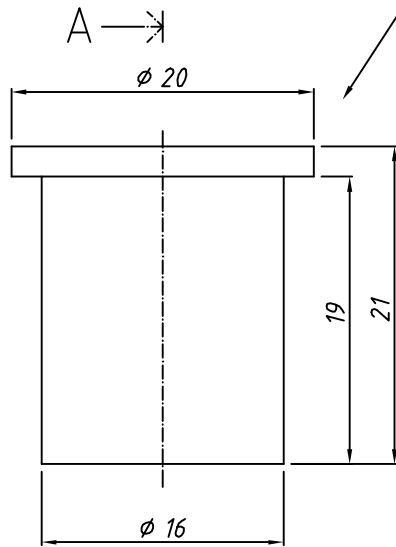
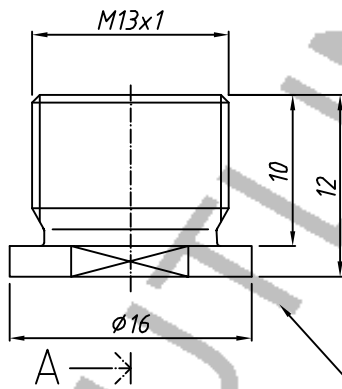
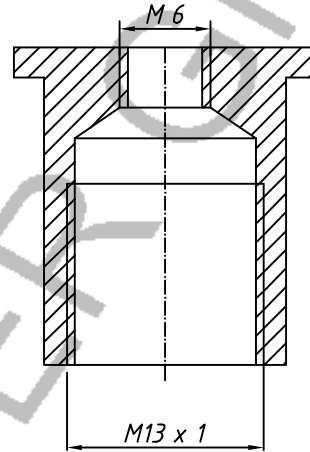


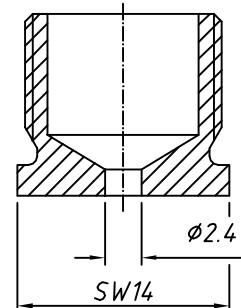
ceiling attachment M13 x 1
ser.no.: 029.006.003



section A - A
scale 2:1 (B)



screw cap M13 x 1, Bo. 2.4mm
ser.no.: 029.006.002



The sleeve's diameter has to be 1mm larger than the screw cap's bore.

12.03.2019 12:03:42

				Scale: 2:1	Size: A4	Tolerance: DIN/ISO 2768 c
				Mass: 24.4 g	AG:	Material: brass
				MC:		Surface: nickel plated
			Date	Name	Designation	
			Work	07.02.00	O.Ziegenhain	
			Change	28.03.18	S.Hoffmann	
			Release:			
			-			
			-			
B	section A	28.03.18	SHo	Drawing No.		Sheet
A	Type of packing	23.03.10	SL	K - 193.005.245 - B - GB		1
Status	Change	Date	Name	Ser. No.		1 Sh.
				Replc.f.:	Replcd.	

REUTLINGER®
Frankfurt am Main - Germany

Caution Copyright DIN 34

combination
ceiling attachment M13x1 with screw cap M13x1